




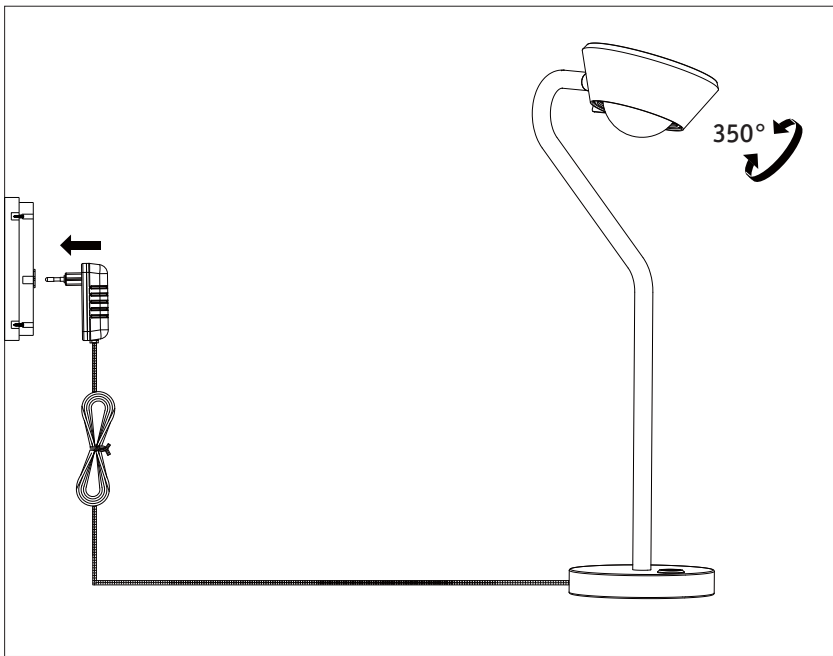
Art.-Nr.: **709.21** 

PH 03/18

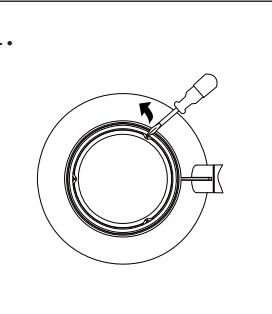


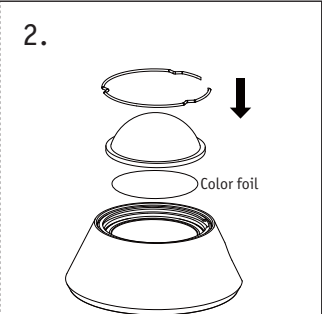


Color foil
1x






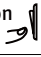
350°

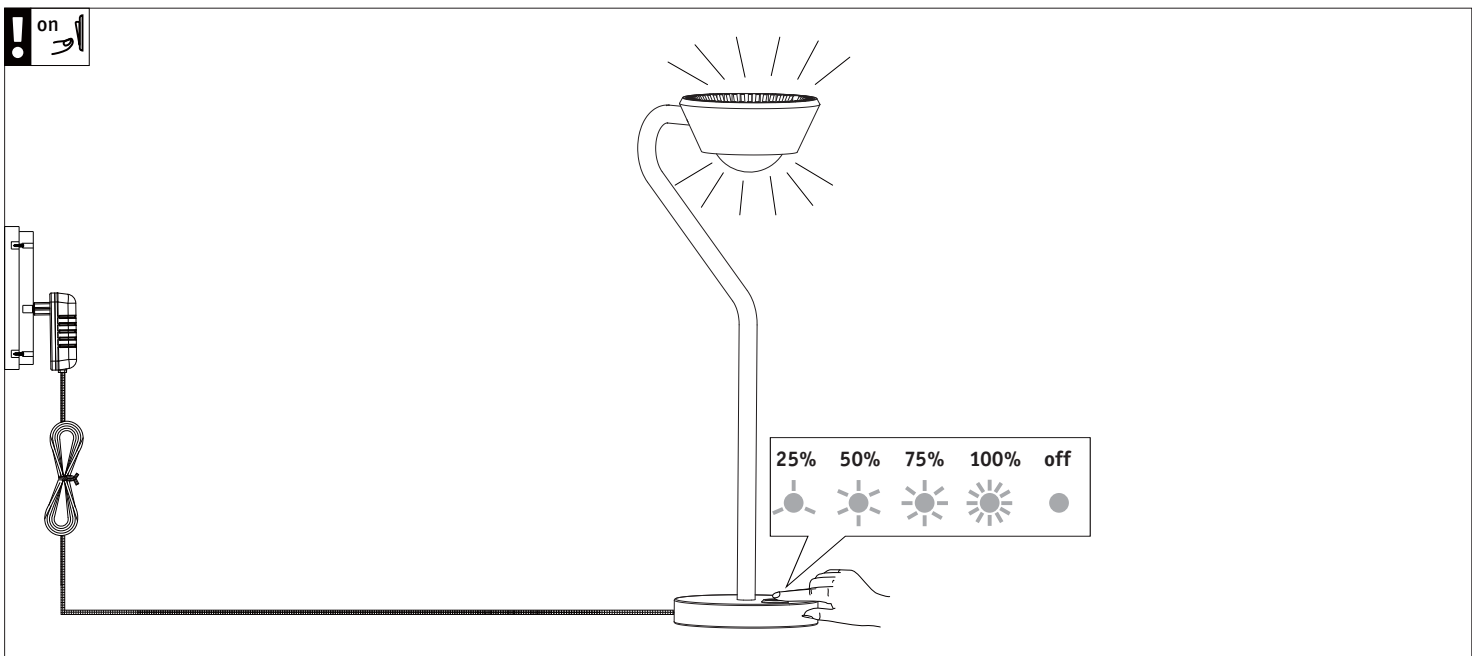
1. 

2. 

Color foil

 on 



25% 50% 75% 100% off

